



ENERG



TCL

50C715X1



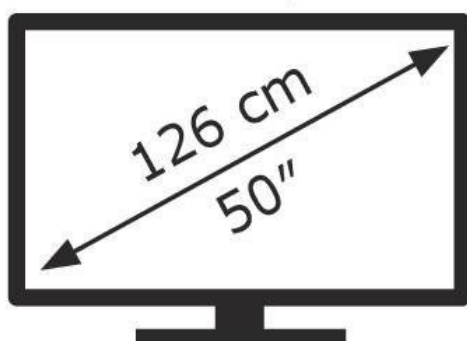
81 kWh/1000h

ABCDEF**G**



126 kWh/1000h

3840 px



2160 px